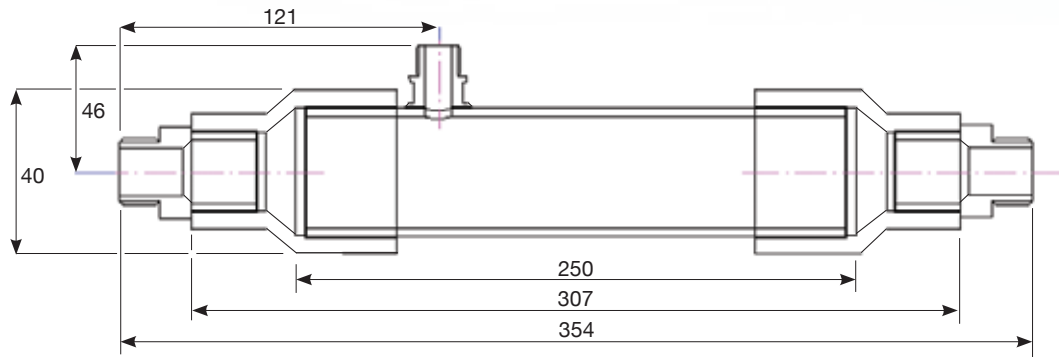




Ultrafiltration element

125 UF/MB/TAP



Ultrafiltration element

125 UF/MB/TAP

Specifications 125 UF/MB/TAP		SI		US	
Element data					
Material housing			PVC		PVC
Material connector			PVC		PVC
Housing length	mm	250 +/- 2,0		inch	10
Element length**	mm	307 +/- 3,0		inch	12
Element length	mm	354 +/- 3,0		inch	14
Distance permeate connector-feed connector**	mm	94 +/- 2,0		inch	4
Distance permeate connector-feed connector	mm	121 +/- 2,0		inch	5
Distance permeate connector-element center	mm	46 +/- 2,0		inch	101
Permeate connection male OD		1/2"			1/2"
Feed connection male OD		1/2"			1/2"
Housing OD	mm	32		inch	1
Element OD	mm	40		inch	2
Endcaps ID**	mm	20		inch	0,8
Weight including endcaps	kg	0,2		lbs	0,4
Membrane Type					
Material			PES		PES
Type			SevenBore®		SevenBore®
Diameter bores ID	mm	0,9		inch	0,04
Diameter fiber OD	mm	4,0		inch	0,16
MWCO		kD 100-150			kD 100-150
Area	m ²	0,05		ft ²	1
Typical Process Conditions					
Maximum operating temperature	°C	40		°F	104
Maximum system pressure	bar	10		psi	145
Trans membrane pressure operation	bar	< 1,0		psi	< 14,5
maximum	bar	2,5		psi	36
Productivity clean water at 25° C (77°F)	l/m ² barh	1300-1600		gfd/psi	53-65
process	l/m ² h	100 to 350		gfd	60 to 210
backwash/forward flush	l/m ² h	250		gfd	150
Permeate flow at 100 l/m ² h	l/h	5		gpm	0,02
pH range during operation		3-10			3-10
Cleaning					
Soaking time during cleaning		min 5			
pH range during cleaning		1-13			
Disinfecting chemicals	hypochlorite (NaOCl)	ppm 50-200			
	hydrogenperoxide (H ₂ O ₂)	ppm 100-200			

**without screw ends (provided separately)

modifications reserved

PO-Box 126 • NL-3890 AC Zeewolde, The Netherlands
 Visiting address: Mast 23 • NL-3891 KE Zeewolde, The Netherlands
 Tel. +31 (0)36 522 0090 Fax. +31 (0)36 523 6619
 E-mail: info@imtmembranes.nl • www.imtmembranes.nl

