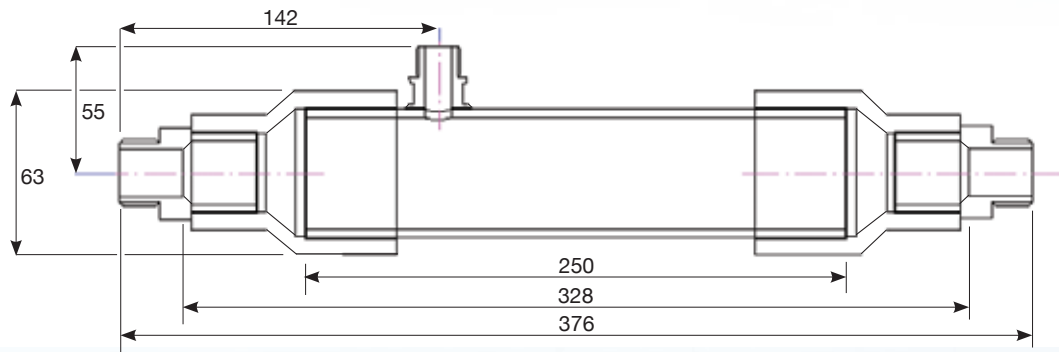




Ultrafiltration element

225 UF/MB/TAP



# Ultrafiltration element

# 225 UF/MB/TAP

Specifications 225 UF/MB/TAP		SI		US	
<b>Element data</b>					
Material housing			<b>PVC</b>		<b>PVC</b>
Material connector			<b>PVC</b>		<b>PVC</b>
Housing length	mm	250 +/- 2,0		inch	10
Element length**	mm	328 +/- 3,0		inch	13
Element length	mm	376 +/- 3,0		inch	15
Distance permeate connector-feed connector**	mm	118 +/- 2,0		inch	5
Distance permeate connector-feed connector	mm	142 +/- 2,0		inch	6
Distance permeate connector-element center	mm	55 +/- 2,0		inch	121
Permeate connection male OD		1/2"			1/2"
Feed connection male OD		1/2"			1/2"
Housing OD	mm	50		inch	2
Element OD	mm	50		inch	2
Endcaps ID**	mm	25		inch	1
Weight	kg	0,4		lbs	1
<b>Membrane Type</b>					
Material			<b>PES</b>		<b>PES</b>
Type			<b>SevenBore®</b>		<b>SevenBore®</b>
Diameter bores ID	mm	0,9		inch	0,04
Diameter fiber OD	mm	4,0		inch	0,16
MWCO		kD 100-150			kD 100-150
Area	m <sup>2</sup>	0,25		ft <sup>2</sup>	3
<b>Typical Process Conditions</b>					
Maximum operating temperature	°C	40		°F	104
Maximum system pressure	bar	10		psi	145
Trans membrane pressure	operation	bar	< 1,0	psi	< 14,5
	maximum	bar	2,5	psi	36
Productivity	clean water at 25° C (77°F)	l/m <sup>2</sup> barh	1300-1600	gfd/psi	53-65
	process	l/m <sup>2</sup> h	100 to 350	gfd	60 to 210
	backwash/forward flush	l/m <sup>2</sup> h	250	gfd	150
Permeate flow at 100 l/m <sup>2</sup> h	l/h	25		gpm	0,11
pH range during operation		3-10			3-10
<b>Cleaning</b>					
Soaking time during cleaning		min 5			
pH range during cleaning		1-13			
Disinfecting chemicals	hypochlorite (NaOCl)	ppm 50-200			
	hydrogenperoxide (H <sub>2</sub> O <sub>2</sub> )	ppm 100-200			

\*\* without screw ends (provided separately)

modifications reserved

PO-Box 126 • NL-3890 AC Zeewolde, The Netherlands  
 Visiting address: Mast 23 • NL-3891 KE Zeewolde, The Netherlands  
 Tel. +31 (0)36 522 0090 Fax. +31 (0)36 523 6619  
 E-mail: info@imtmembranes.nl • www.imtmembranes.nl

