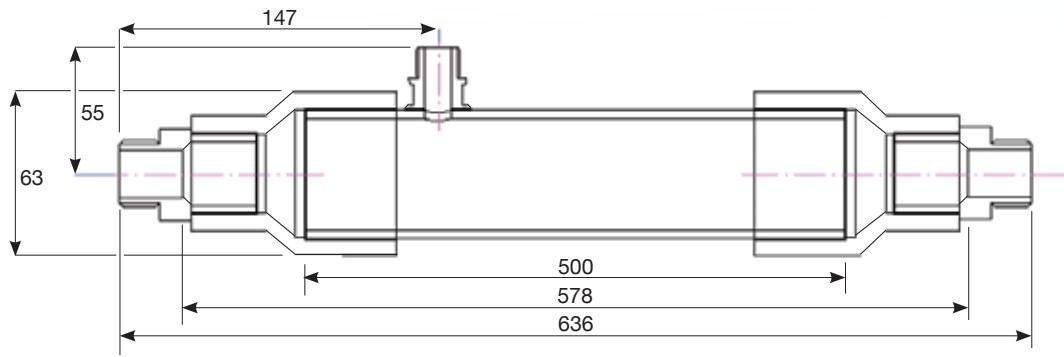




Ultrafiltration element

250 UF/MB/TAP



Ultrafiltration element

250 UF/MB/TAP

Specifications 250 UF/MB/TAP		SI		US	
Element data					
Material housing		PVC		PVC	
Material connector		PVC		PVC	
Housing length	mm	500 +/- 2,0		inch	20
Element length**	mm	578 +/- 3,0		inch	23
Element length	mm	636 +/- 3,0		inch	25
Distance permeate connector-feed connector**	mm	118 +/- 2,0		inch	5
Distance permeate connector-feed connector	mm	147 +/- 2,0		inch	6
Distance permeate connector-element center	mm	55 +/- 2,0		inch	121
Permeate connection male OD		1/2"		1/2"	
Feed connection male OD		1/2"		1/2"	
Housing OD	mm	50		inch	2
Element OD	mm	50		inch	2
Endcaps ID**	mm	25		inch	1
Weight	kg	0,7		lbs	2
Membrane Type					
Material		PES		PES	
Type		SevenBore®		SevenBore®	
Diameter bores ID	mm	0,9		inch	0,04
Diameter fiber OD	mm	4,0		inch	0,16
MWCO		kD 100-150			kD 100-150
Area	m ²	0,6		ft ²	6
Typical Process Conditions					
Maximum operating temperature	°C	40		°F	104
Maximum system pressure	bar	10		psi	145
Trans membrane pressure operation	bar	< 1,0		psi	< 14,5
maximum	bar	2,5		psi	36
Productivity clean water at 25° C (77°F)	l/m ² barh	1300-1600		gfd/psi	53-65
process	l/m ² h	100 to 350		gfd	60 to 210
backwash/forward flush	l/m ² h	250		gfd	150
Permeate flow at 100 l/m ² h	l/h	60		gpm	0,26
pH range during operation		3 -10			3 -10
Cleaning					
Soaking time during cleaning		min 5			
pH range during cleaning		1-13			
Disinfecting chemicals	hypochlorite (NaOCl)	ppm 50-200			
	hydrogenperoxide (H ₂ O ₂)	ppm 100-200			

** without screw ends (provided separately)

modifications reserved

PO-Box 126 • NL-3890 AC Zeewolde, The Netherlands
 Visiting address: Mast 23 • NL-3891 KE Zeewolde, The Netherlands
 Tel. +31 (0)36 522 0090 Fax. +31 (0)36 523 6619
 E-mail: info@imtmembranes.nl • www.imtmembranes.nl

