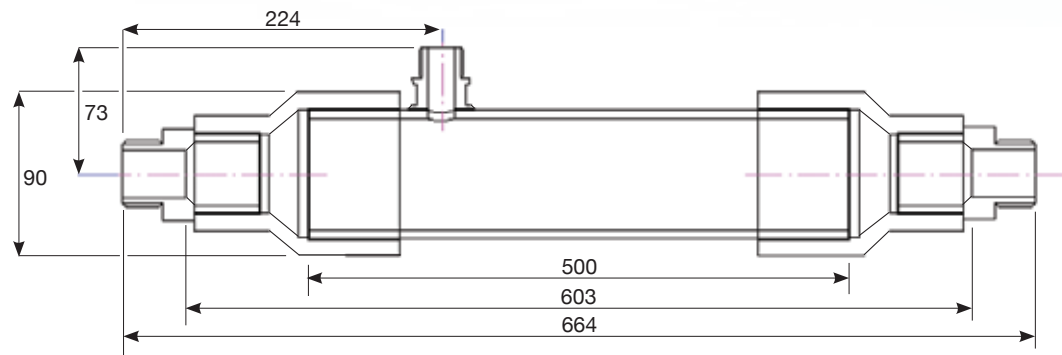




Ultrafiltration element

350 UF/MB/TAP



Ultrafiltration element

350 UF/MB/TAP

Specifications 350 UF/MB/TAP		SI		US	
Element data					
Material housing		PVC		PVC	
Material connector		PVC		PVC	
Housing length	mm	500 +/- 2,0	inch	20	
Element length**	mm	603 +/- 3,0	inch	24	
Element length	mm	664 +/- 3,0	inch	26	
Distance permeate connector-feed connector**	mm	145 +/- 1,0	inch	6	
Distance permeate connector-feed connector	mm	224 +/- 1,0	inch	9	
Distance permeate connector-element center	mm	73 +/- 2,0	inch	161	
Permeate connection male OD		1"		1"	
Feed connection male OD		1"		1"	
Housing OD	mm	75	inch	3	
Element OD	mm	90	inch	4	
Endcaps ID**	mm	40	inch	2	
Weight	kg	1,5	lbs	3	
Membrane Type					
Material		PES		PES	
Type		SevenBore®		SevenBore®	
Diameter bores ID	mm	0,9	inch	0,04	
Diameter fiber OD	mm	4,0	inch	0,16	
MWCO		kD 100-150		kD 100-150	
Area	m ²	1,25	ft ²	13	
Typical Process Conditions					
Maximum operating temperature	°C	40	°F	104	
Maximum system pressure	bar	10	psi	145	
Trans membrane pressure operation	bar	< 1,0	psi	< 14,5	
maximum	bar	2,5	psi	36	
Productivity clean water at 25° C (77°F)	l/m ² barh	1300-1600	gfd/psi	53-65	
process	l/m ² h	100 to 350	gfd	60 to 210	
backwash/forward flush	l/m ² h	250	gfd	150	
Permeate flow at 100 l/m ² h	l/h	125	gpm	1	
pH range during operation		3-10		3-10	
Cleaning					
Soaking time during cleaning		min 5			
pH range during cleaning		1-13			
Disinfecting chemicals	hypochlorite (NaOCl)	ppm 50-200			
	hydrogenperoxide (H ₂ O ₂)	ppm 100-200			

** without screw ends (provided separately)

modifications reserved

PO-Box 126 • NL-3890 AC Zeewolde, The Netherlands
 Visiting address: Mast 23 • NL-3891 KE Zeewolde, The Netherlands
 Tel. +31 (0)36 522 0090 Fax. +31 (0)36 523 6619
 E-mail: info@imtmembranes.nl • www.imtmembranes.nl

