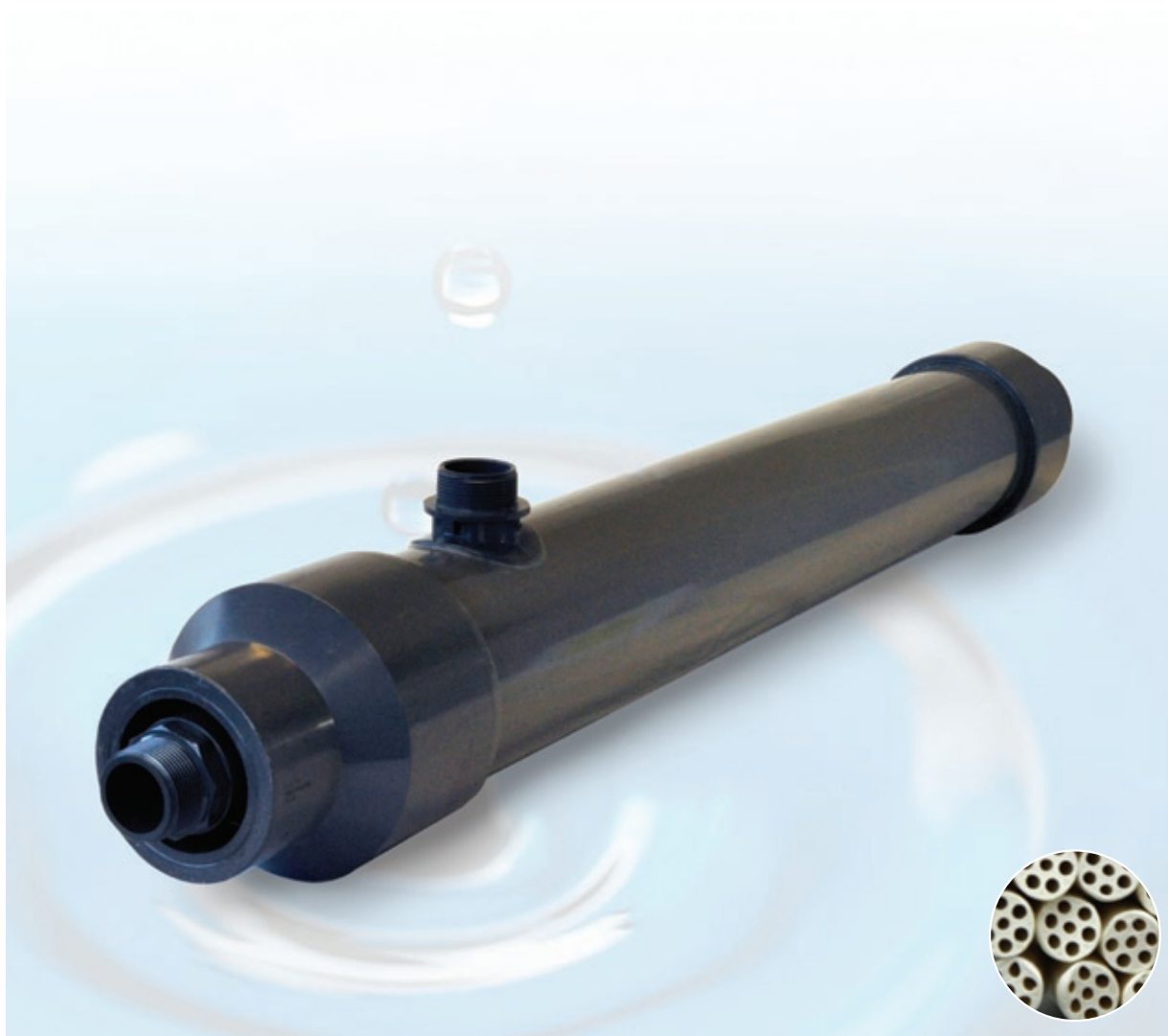
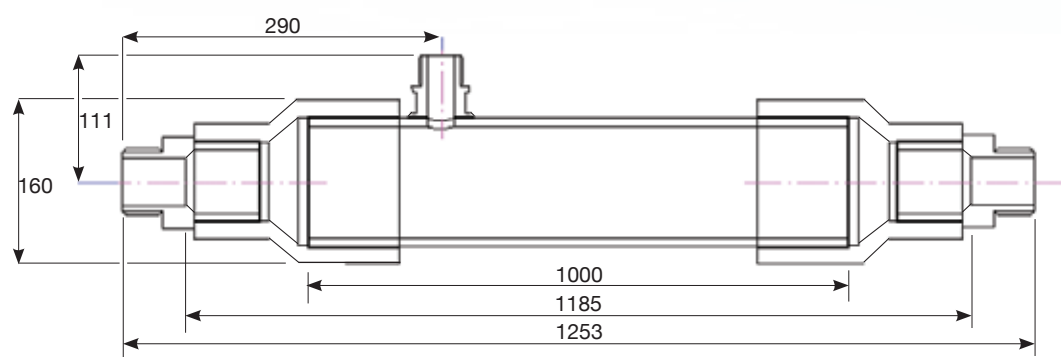




## Ultrafiltration element

## 6100 UF/MB/TAP



# Ultrafiltration element

# 6100 UF/MB/TAP

Specifications 6100 UF/MB/TAP		SI		US	
<b>Element data</b>					
Material housing		PVC		PVC	
Material connector		PVC		PVC	
Housing length	mm	1000	+/- 2,0	inch	30
Element length**	mm	1185	+/- 3,0	inch	35
Element length	mm	1253	+/- 3,0	inch	37
Distance permeate connector-feed connector**	mm	256	+/- 2,0	inch	9
Distance permeate connector-feed connector	mm	290	+/- 2,0	inch	10
Distance permeate connector-element center	mm	111	+/- 2,0	inch	0
Permeate connection male OD		1½"		1½"	
Feed connection male OD		1½"		1½"	
Housing OD	mm	140		inch	6
Element OD	mm	160		inch	6
Endcaps ID**	mm	50		inch	2
Weight	kg	9,8		lbs	22
<b>Membrane Type</b>					
Material		PES		PES	
Type		SevenBore®		SevenBore®	
Diameter bores ID	mm	0,9		inch	0,04
Diameter fiber OD	mm	4,0		inch	0,16
MWCO		kD 100-150		kD 100-150	
Area	m²	12		ft²	129
<b>Typical Process Conditions</b>					
Maximum operating temperature	°C	40		°F	104
Maximum system pressure	bar	10		psi	145
Trans membrane pressure operation	bar	< 1,0		psi	< 14,5
	bar	2,5		psi	36
Productivity	clean water at 25° C (77°F)	l/m²barh	1300-1600	gfd/psi	53-65
	process	l/m²h	100 to 350	gfd	60 to 210
	backwash/forward flush	l/m²h	250	gfd	150
Permeate flow at 100 l/m² h	m³	1,2		gpm	5
pH range during operation		3-10			3-10
<b>Cleaning</b>					
Soaking time during cleaning		min 5			
pH range during cleaning		1-13			
Disinfecting chemicals	hypochlorite (NaOCl)	ppm 50-200			
	hydrogenperoxide (H₂O₂)	ppm 100-200			

\*\* without screw ends (provided separately)

modifications reserved